

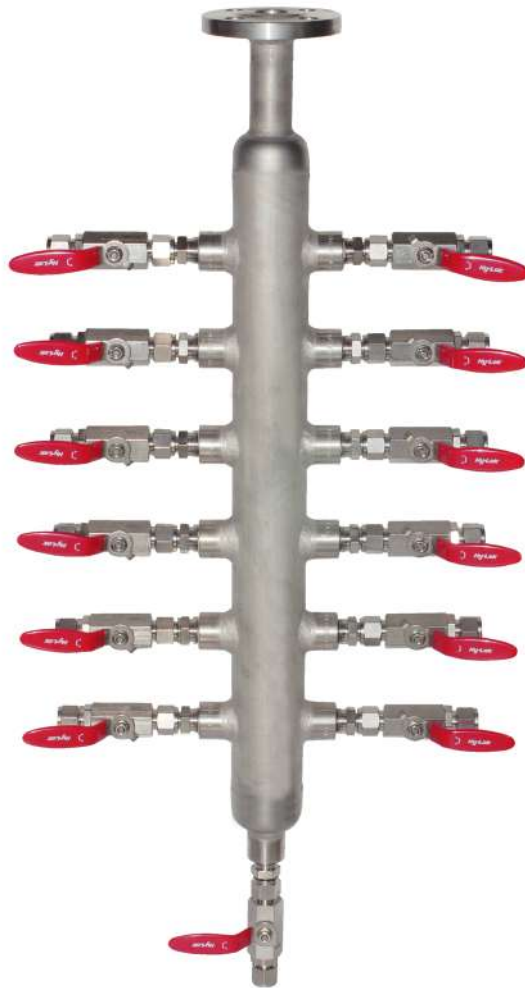


www.hy-lok.com

Catalog No. H-AM100
Feb. 2023

AM Series

Air Manifold



HY-LOK CORPORATION

©2009-2023 HY-LOK CORPORATION All rights reserved



Air manifolds are designed according to customer requirements. They can be configured quickly in any layout to suit application, utilising standard components.

Features

Dimensions of distribution pipe

Pipe N.B. 1" and 2" as standard
Pipe N.B. 3" and 4" optional

Material

Stainless Steel : Pipe - A312 TP316
Pipe Cap - WP316
Carbon Steel : Pipe - A106
Pipe Cap - WPB

Surface

Stainless Steel Pickled
Carbon Steel galvanized or painted.

Connections (distribution pipe)

Inlet port : ANSI and JIS flanges or threaded connections

- Outlet ports :
- Number of outlet ports 2 - 20
 - Single sided or double sided
 - Hy-Lok ends
 - Ports with male or female thread
 - Welded on distribution pipe
- Vent / drain port : with male or female thread

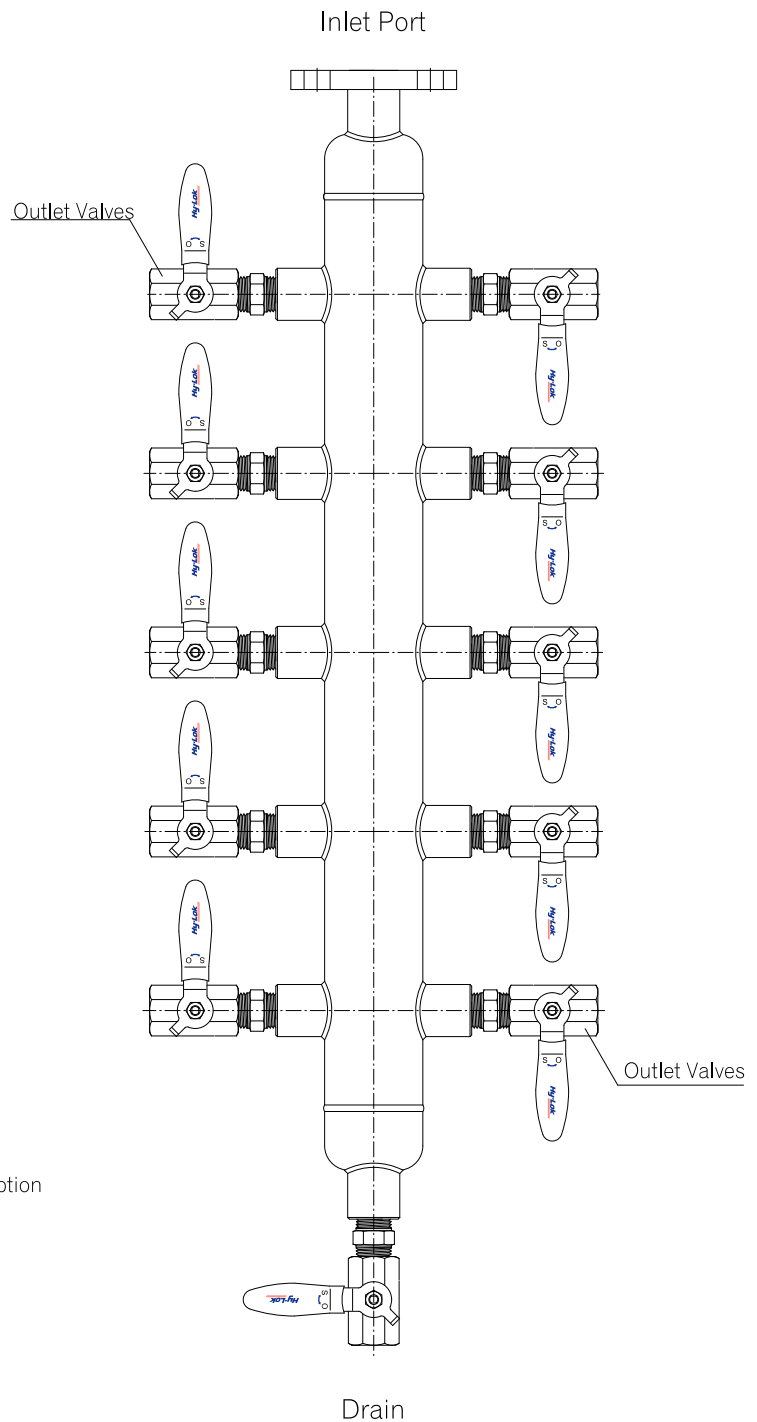
Valves for inlet, outlet and vent / drain ports

- Hy-Lok Instrument Needle Valves
- Ball valves full or reduced bore (1/4", 1/2", 3/4")
- Push Turn Ball Valves as optional

Material - brass, carbon steel, stainless steel

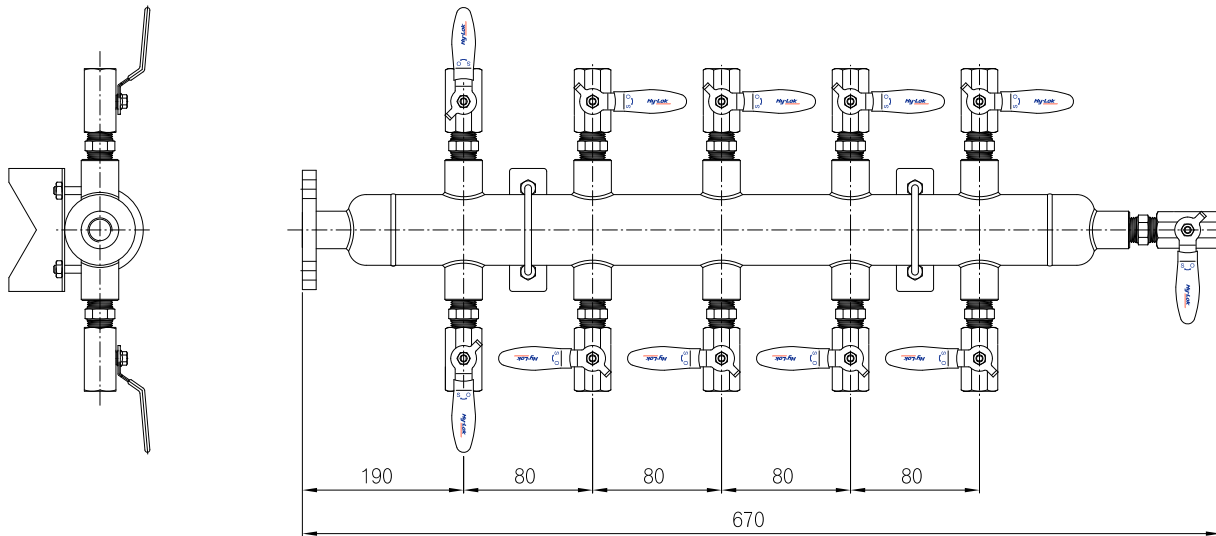
- Connections :
- Male or female threads
 - Hy-Lok ends
 - Special connections on request

- Brackets for 2" pipe mounting, wall or rack mounting are an option
- Pressure ratings up to 40 bar 100 % pressure tested
- Available with material certificates according to ASME 3.1B



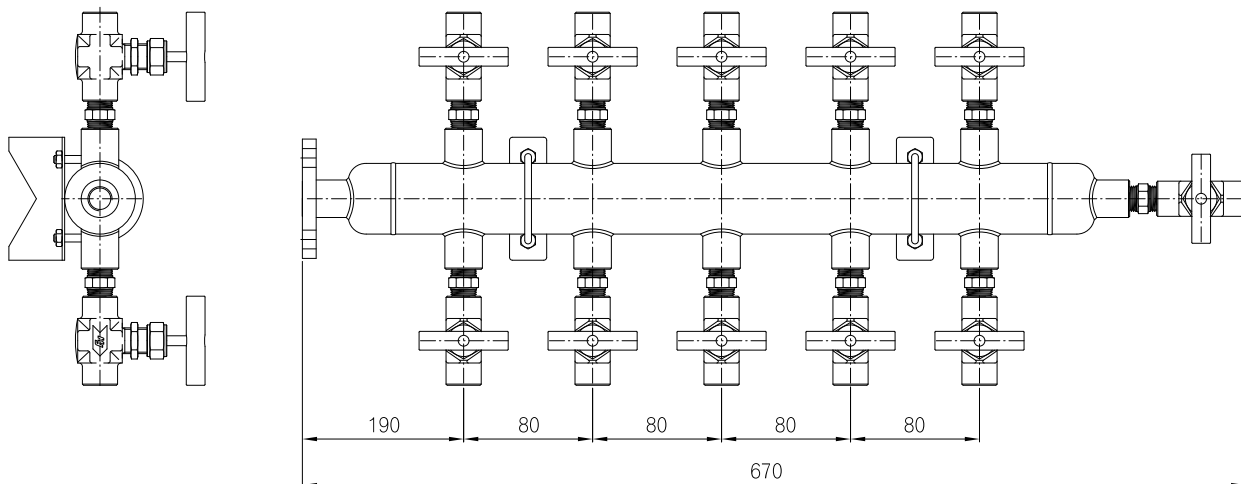
Ball Valves Type

AM - 10B (Max. Working pressure : 150psi)



Needle Valves Type

AM - 10N (Max. Working pressure : 150psi)



- All dimensions are in millimeters.
- Drawing is only for your reference.
- Mounting Brackets are provided as an option.

Ordering Informations

AM	16	A	4FF/8N	20	B	8C	P / S316																																																																											
Series	Pipe Sizes	Pipe Schedule	Inlet Connection	Number of outlet Valves	Valve Type & Material	Outlet, Drain Connections	Optional Air Head																																																																											
Air Distribution Manifolds																																																																																		
							<table border="1"> <tr> <td>S316</td> <td>316 Stainless Steel</td> </tr> <tr> <td>316L</td> <td>316L Stainless Steel</td> </tr> <tr> <td>STEL</td> <td>Carbon Steel</td> </tr> <tr> <td>MONE</td> <td>Alloy400 (Monel)</td> </tr> <tr> <td>N316</td> <td>NACE MR-01-75 316 Stainless Steel</td> </tr> </table>	S316	316 Stainless Steel	316L	316L Stainless Steel	STEL	Carbon Steel	MONE	Alloy400 (Monel)	N316	NACE MR-01-75 316 Stainless Steel																																																																	
S316	316 Stainless Steel																																																																																	
316L	316L Stainless Steel																																																																																	
STEL	Carbon Steel																																																																																	
MONE	Alloy400 (Monel)																																																																																	
N316	NACE MR-01-75 316 Stainless Steel																																																																																	
							<table border="1"> <tr> <td>P</td> <td>Vent plug on Outlet Valve</td> </tr> <tr> <td>V</td> <td>Vent valve</td> </tr> <tr> <td>M</td> <td>Panel mounting</td> </tr> </table>	P	Vent plug on Outlet Valve	V	Vent valve	M	Panel mounting																																																																					
P	Vent plug on Outlet Valve																																																																																	
V	Vent valve																																																																																	
M	Panel mounting																																																																																	
							<table border="1"> <tr> <td>4TC</td> <td>1/4" Tubing</td> <td>Hy-Lok Ends</td> </tr> <tr> <td>6TC</td> <td>3/8" Tubing</td> <td></td> </tr> <tr> <td>8TC</td> <td>1/2" Tubing</td> <td></td> </tr> <tr> <td>12TC</td> <td>3/4" Tubing</td> <td></td> </tr> <tr> <td>16TC</td> <td>1" Tubing</td> <td></td> </tr> <tr> <td>4N</td> <td>1/4" NPT Female</td> <td>Thread Ends</td> </tr> <tr> <td>6N</td> <td>3/8" NPT Female</td> <td></td> </tr> <tr> <td>8N</td> <td>1/2" NPT Female</td> <td></td> </tr> <tr> <td>12N</td> <td>3/4" NPT Female</td> <td></td> </tr> <tr> <td>16N</td> <td>1" NPT Female</td> <td></td> </tr> <tr> <td>4R</td> <td>1/4" BSPT Female</td> <td></td> </tr> <tr> <td>6R</td> <td>3/8" BSPT Female</td> <td></td> </tr> <tr> <td>8R</td> <td>1/2" BSPT Female</td> <td></td> </tr> <tr> <td>12R</td> <td>3/4" BSPT Female</td> <td></td> </tr> <tr> <td>16R</td> <td>1" BSPT Female</td> <td></td> </tr> <tr> <td>4S</td> <td>1/4" Socket Weld</td> <td>Welds Ends</td> </tr> <tr> <td>6S</td> <td>3/8" Socket Weld</td> <td></td> </tr> <tr> <td>8S</td> <td>1/2" Socket Weld</td> <td></td> </tr> <tr> <td>12S</td> <td>3/4" Socket Weld</td> <td></td> </tr> <tr> <td>16S</td> <td>1" Socket Weld</td> <td></td> </tr> <tr> <td>4B</td> <td>1/4" Butt Weld</td> <td></td> </tr> <tr> <td>6B</td> <td>3/8" Butt Weld</td> <td></td> </tr> <tr> <td>8B</td> <td>1/2" Butt Weld</td> <td></td> </tr> <tr> <td>12B</td> <td>3/4" Butt Weld</td> <td></td> </tr> <tr> <td>16B</td> <td>1" Butt Weld</td> <td></td> </tr> </table>	4TC	1/4" Tubing	Hy-Lok Ends	6TC	3/8" Tubing		8TC	1/2" Tubing		12TC	3/4" Tubing		16TC	1" Tubing		4N	1/4" NPT Female	Thread Ends	6N	3/8" NPT Female		8N	1/2" NPT Female		12N	3/4" NPT Female		16N	1" NPT Female		4R	1/4" BSPT Female		6R	3/8" BSPT Female		8R	1/2" BSPT Female		12R	3/4" BSPT Female		16R	1" BSPT Female		4S	1/4" Socket Weld	Welds Ends	6S	3/8" Socket Weld		8S	1/2" Socket Weld		12S	3/4" Socket Weld		16S	1" Socket Weld		4B	1/4" Butt Weld		6B	3/8" Butt Weld		8B	1/2" Butt Weld		12B	3/4" Butt Weld		16B	1" Butt Weld	
4TC	1/4" Tubing	Hy-Lok Ends																																																																																
6TC	3/8" Tubing																																																																																	
8TC	1/2" Tubing																																																																																	
12TC	3/4" Tubing																																																																																	
16TC	1" Tubing																																																																																	
4N	1/4" NPT Female	Thread Ends																																																																																
6N	3/8" NPT Female																																																																																	
8N	1/2" NPT Female																																																																																	
12N	3/4" NPT Female																																																																																	
16N	1" NPT Female																																																																																	
4R	1/4" BSPT Female																																																																																	
6R	3/8" BSPT Female																																																																																	
8R	1/2" BSPT Female																																																																																	
12R	3/4" BSPT Female																																																																																	
16R	1" BSPT Female																																																																																	
4S	1/4" Socket Weld	Welds Ends																																																																																
6S	3/8" Socket Weld																																																																																	
8S	1/2" Socket Weld																																																																																	
12S	3/4" Socket Weld																																																																																	
16S	1" Socket Weld																																																																																	
4B	1/4" Butt Weld																																																																																	
6B	3/8" Butt Weld																																																																																	
8B	1/2" Butt Weld																																																																																	
12B	3/4" Butt Weld																																																																																	
16B	1" Butt Weld																																																																																	
					<table border="1"> <tr> <td>N</td> <td>Needle Valves</td> <td>Valves Type</td> </tr> <tr> <td>B</td> <td>Ball Valves</td> <td></td> </tr> <tr> <td>Nil</td> <td>Valveless</td> <td></td> </tr> <tr> <td></td> <td></td> <td>Material</td> </tr> <tr> <td>S316</td> <td>316 Stainless Steel</td> <td></td> </tr> <tr> <td>316L</td> <td>316L Stainless Steel</td> <td></td> </tr> <tr> <td>STEL</td> <td>Carbon Steel</td> <td></td> </tr> <tr> <td>MONE</td> <td>Alloy400 (Monel)</td> <td></td> </tr> <tr> <td>N316</td> <td>NACE MR-01-75 316 Stainless Steel</td> <td></td> </tr> <tr> <td>BRAS</td> <td>BRASS</td> <td></td> </tr> </table>	N	Needle Valves	Valves Type	B	Ball Valves		Nil	Valveless				Material	S316	316 Stainless Steel		316L	316L Stainless Steel		STEL	Carbon Steel		MONE	Alloy400 (Monel)		N316	NACE MR-01-75 316 Stainless Steel		BRAS	BRASS																																																
N	Needle Valves	Valves Type																																																																																
B	Ball Valves																																																																																	
Nil	Valveless																																																																																	
		Material																																																																																
S316	316 Stainless Steel																																																																																	
316L	316L Stainless Steel																																																																																	
STEL	Carbon Steel																																																																																	
MONE	Alloy400 (Monel)																																																																																	
N316	NACE MR-01-75 316 Stainless Steel																																																																																	
BRAS	BRASS																																																																																	
				<table border="1"> <tr> <td>5</td> <td>single sided 5valves : 5</td> </tr> <tr> <td>10</td> <td>double sided 5valves : 10</td> </tr> <tr> <td>20</td> <td>double sided 10valves : 20</td> </tr> </table>	5	single sided 5valves : 5	10	double sided 5valves : 10	20	double sided 10valves : 20																																																																								
5	single sided 5valves : 5																																																																																	
10	double sided 5valves : 10																																																																																	
20	double sided 10valves : 20																																																																																	
			<table border="1"> <tr> <td>1</td> <td>1/2" Flange</td> <td>Flange</td> </tr> <tr> <td>2</td> <td>3/4" Flange</td> <td></td> </tr> <tr> <td>3</td> <td>1" Flange</td> <td></td> </tr> <tr> <td>4</td> <td>1 1/4" Flange</td> <td></td> </tr> <tr> <td>5</td> <td>1 1/2" Flange</td> <td></td> </tr> <tr> <td>F</td> <td>Flat Face</td> <td>Face</td> </tr> <tr> <td>R</td> <td>Raised Face</td> <td></td> </tr> <tr> <td>F</td> <td>CL 150</td> <td>Class</td> </tr> <tr> <td>G</td> <td>CL 300</td> <td></td> </tr> <tr> <td>H</td> <td>CL 400</td> <td></td> </tr> <tr> <td>I</td> <td>CL 600</td> <td></td> </tr> <tr> <td>J</td> <td>CL 900</td> <td></td> </tr> <tr> <td>K</td> <td>CL 1500</td> <td></td> </tr> <tr> <td>L</td> <td>CL 2500</td> <td></td> </tr> <tr> <td>4N</td> <td>1/4" NPT Female</td> <td>Thread</td> </tr> <tr> <td>8N</td> <td>1/2" NPT Female</td> <td></td> </tr> </table>	1	1/2" Flange	Flange	2	3/4" Flange		3	1" Flange		4	1 1/4" Flange		5	1 1/2" Flange		F	Flat Face	Face	R	Raised Face		F	CL 150	Class	G	CL 300		H	CL 400		I	CL 600		J	CL 900		K	CL 1500		L	CL 2500		4N	1/4" NPT Female	Thread	8N	1/2" NPT Female																																
1	1/2" Flange	Flange																																																																																
2	3/4" Flange																																																																																	
3	1" Flange																																																																																	
4	1 1/4" Flange																																																																																	
5	1 1/2" Flange																																																																																	
F	Flat Face	Face																																																																																
R	Raised Face																																																																																	
F	CL 150	Class																																																																																
G	CL 300																																																																																	
H	CL 400																																																																																	
I	CL 600																																																																																	
J	CL 900																																																																																	
K	CL 1500																																																																																	
L	CL 2500																																																																																	
4N	1/4" NPT Female	Thread																																																																																
8N	1/2" NPT Female																																																																																	
		<table border="1"> <tr> <td>A</td> <td>Sch. 40</td> </tr> <tr> <td>B</td> <td>Sch. 80</td> </tr> <tr> <td>C</td> <td>Sch. 160</td> </tr> </table>	A	Sch. 40	B	Sch. 80	C	Sch. 160																																																																										
A	Sch. 40																																																																																	
B	Sch. 80																																																																																	
C	Sch. 160																																																																																	
	<table border="1"> <tr> <td>16</td> <td>1" Pipe</td> </tr> <tr> <td>20</td> <td>1 1/4" Pipe</td> </tr> <tr> <td>24</td> <td>1 1/2" Pipe</td> </tr> <tr> <td>32</td> <td>2" Pipe</td> </tr> <tr> <td>48</td> <td>3" Pipe</td> </tr> </table>	16	1" Pipe	20	1 1/4" Pipe	24	1 1/2" Pipe	32	2" Pipe	48	3" Pipe																																																																							
16	1" Pipe																																																																																	
20	1 1/4" Pipe																																																																																	
24	1 1/2" Pipe																																																																																	
32	2" Pipe																																																																																	
48	3" Pipe																																																																																	

***Safety Notes :**

1. Use safe work practices when using the air distribution manifold.
2. Do not separate the end connectors from the body of the manifold.
3. Safely operate valves by hand. Avoid using wrenches to actuate valves.
4. Do not remove vent plug or disassemble any part of the manifold while positive pressure is present.